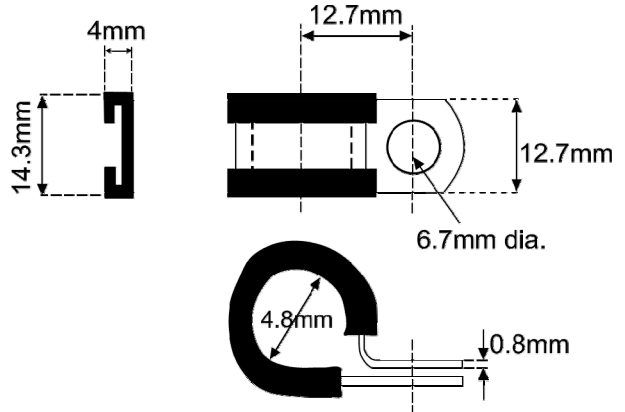


P clip and K Clip

P Clip

Zinc plated steel clip with santoprene cushion insulator. The fixing screw is not included.

Part No: FX/P



K Clip

The latest addition to our range of cable clips, the K clip, offers installers significant improvements over traditional fixing methods:

- 6mm dia. knock in spigot, simply drill and fix
- No wall plug and screw necessary resulting in reduced cost
- Reduced installation time, around 50% quicker than conventional methods
- The cable stands off the wall / ceiling by 4.5mm
- Accepts most heat sensing cable types

