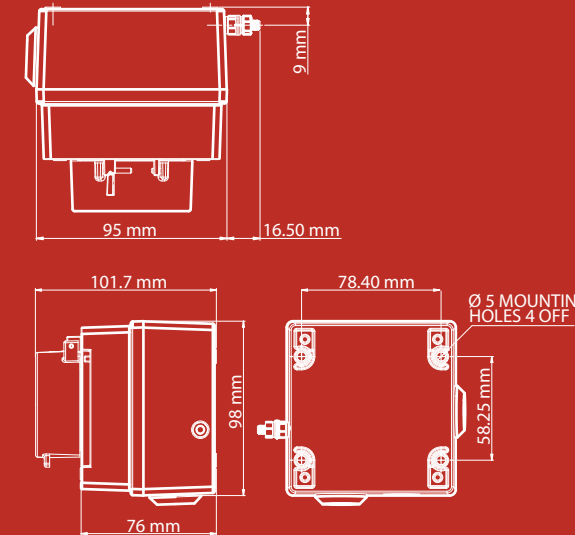


BExCP3A/B-PT Tool Reset Call Point

The BExCP3A-PT and BExCP3B-PT push button, tool resettable manual call points are approved for Zone 1, 2, 21 and 22 hazardous areas for the control of fire and gas alarm systems. Available with and without monitoring resistors all versions are certified to ATEX and IECEx standards.

The push button mechanism is protected by a spring loaded cover therefore the switch requires a two-action activation. The push button is user resettable via the use of the special key supplied with the unit. The BEx range features enclosures manufactured from corrosion proof, marine grade, copper free LM6 (A413) aluminium which is phosphated and powder coated.



Versions:

Version:	Category:	Voltage:	Switch rating:	Monitoring Resistors:	Terminals:	Cable entries:	Weight:			
BExCP3A-PT	II 2G Ex e d IIC T6 Gb	250V ac Max.	5.0A Max.	N	6 x 4mm ²	2 x M20	0.8Kg			
	II 2D Ex t IIIC T60°C Db	50V dc Max.	1.0A Max.			Top/Bottom				
	IP66					1 x M20				
	Ta = -40°C to +55°C					Left/Right				
BExCP3B-PT	II 2G Ex e d mb IIC T4 Gb	56V dc Max.	48V	56V	1K8	Y	6 x 4mm ²	2 x M20	0.8Kg	
		Rating:	24V	28V	470R			or	Top/Bottom	
	II 2D Ex t IIIC T70°C Db	<50V: 1.0A	12V	15V	120R			8 x 2.5mm ²	1 x M20	
	IP66	>50V: 0.75A	6V	9V	47R			DIN rail	Left/Right	
	Ta = -40°C to +50°C									

Part Codes:

Type:	Terminals:	Duty Label:	Colour:	Nominal Voltage	E.O.L Resistor:	Series Resistor:
BExCP3A-PT	ST	NL	RD	48V	ExxxR	SxxxR
BExCP3B-PT	DR	DL		24V		
				12V		
				6V		

ST: Standard	NL: No label (std)	RD: Red (std)	System Voltage	xxx: Res. value	xxx: Res. value
DR: DIN rail	DL: Duty Label	Contact sales	only required	e.g.: E470R	e.g.: S2K2R
'DR' option	Specify content	for other	on BExCP3B	Only available on	Only available on
only on BExCP3B		when ordering.	colour options	BExCP3B version	BExCP3B version
version					

e.g. BExCP3A-PT-ST-NL-RD : BEx-CP3A Break glass call point with standard terminals and no duty label. Red housing

e.g. BExCP3B-PT-DR-NL-RD-24V-E470R : BEx-CP3B Break glass call point with DIN rail terminals, no duty label, 24V supply voltage with a 470 Ohm end of line resistor. Red housing.

Specification:

BExCP3A-PT:	II 2G Ex e d IIC T6 Gb II 2D Ex t IIIC T60°C Db IP66
BExCP3B-PT:	II 2G Ex e d mb IIC T4 Gb II 2D Ex t IIIC T70°C Db IP66
Ambient:	Ta = -40°C to +55°C (+50°C for BExCP3B)
Ingress protection:	IP66
Housing material:	Marine grade copper free LM6 Aluminium
Housing finish:	Phosphated & powder coated finish: anti-corrosion.
Colour:	RAL3000 Red (others available on request)
Cable entries:	2 x M20 clearance top and 1 x M20 clearance side. Back box can be rotated to give 2 x bottom and 1 x side entries.
Stopping plugs:	2 x Ex e nylon plugs as standard Brass and stainless steel plugs optional
Terminals:	6 x 4.0mm ² cables.

Options:

- Alternative housing colours are available to meet specific requirements.
- DIN rail mounted terminal blocks: 8 x 2.5mm²
- Metalised Polyester "Duty" label.
- Series and/or End of Line resistors.

Approvals:

- ATEX certificate: Sira 09ATEX3286X, IEC 60079-0:2007 Ed 5, EN 60079-1:2004, EN 60079-7:2007, IEC 60079-18:2009 Ed 3, EN 61241-1:2004
- IECEx certificate: IECEx SIR 09.0121X, IEC 60079-0:2007-10 Edition: 5, IEC 60079-1:2003 Edition: 5, IEC 60079-18:2009 Edition: 3, IEC 60079-7:2006-07 Edition: 4, IEC 61241-1:2004 Edition: 1
- Inmetro certificate: 10-IEEx-0011X

