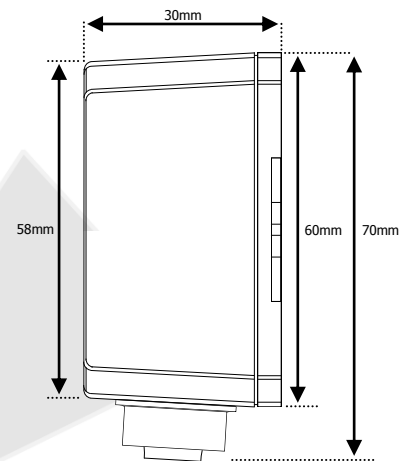




Signaline WDM-KM Control Module

The Signaline WDM-KM Control Module is a completely sealed compact device that monitors the Signaline WD Water Detection Cable. A six core flying data cable allows for the termination of power, alarm and fault connections. The Signaline WD Water Detection Cable simply plugs into a socket on the Signaline WDM-KM Control Module for a secure and reliable connection. The presence of water on the Signaline WD Water Detection Cable triggers the alarm relay. A break in the detection cores or power loss to the module will trigger the fault circuit. The simplicity and flexibility of the system allow the control module and sensor cable to be installed after all other building work has been completed.



Supply Voltage	12 to 30 Vdc
Operating Current	10mA (normal operation) 27mA (alarm relay activated)
Alarm Output	Non-latching alarm normally open volt free contacts
Fault Output	Contact rating 1A @ 30Vdc (resistive load), 0.3A @ 110Vdc (resistive load) Normally closed onto isolated output (opening on power loss or open circuit of detection cable) 20mA @ 48Vdc (resistive load) Important Note - the fault output is not current limited. Exceeding the specified current limit on the fault output will damage the fault output circuit beyond repair
Operating Temperature	0 to 50°C (32 to 120°F)
Cable Length per Control Module	3.75m (12ft) to 1000m (3280ft)
Sensitivity	A minimum amount of water must be in contact in a continuous length along the detection cable to trigger an alarm. For example a pool of water 5mm (0.2") deep x 50mm (2") wide x 200mm (8") long. Water must submerge the cable to a depth sufficient enough to come in contact with both black cores for an alarm to be triggered.
Reset	The control module will automatically reset when the cable is dry
Data Cable Connections	1m x 6 core data cable, core Size 22AWG (Ø0.65mm) Overall Diameter 5.3mm (0.208") Power, alarm volt free contact and fault monitoring

LGM PRODUCTS LTD
UNIT 15 RIVERSIDE INDUSTRIAL PARK
FARNHAM
SURREY GU9 7UG
UNITED KINGDOM

TEL +44 (0) 1252 725257
FAX +44 (0) 1252 727627
E-mail sales@Lgmproducts.com
www.signaline.com